

# OPERATION & MAINTENANCE

## 1" SQ Drive Anvil

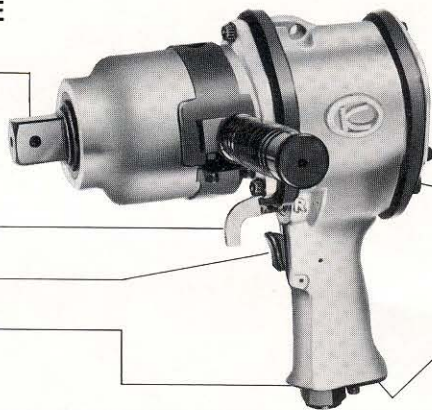
Replaceable with #5 spline drive anvil.

## Reverse Lever

## Trigger

## Air Inlet Bushing

Put 2-3 teaspoons of 10W machine oil into air motor daily.



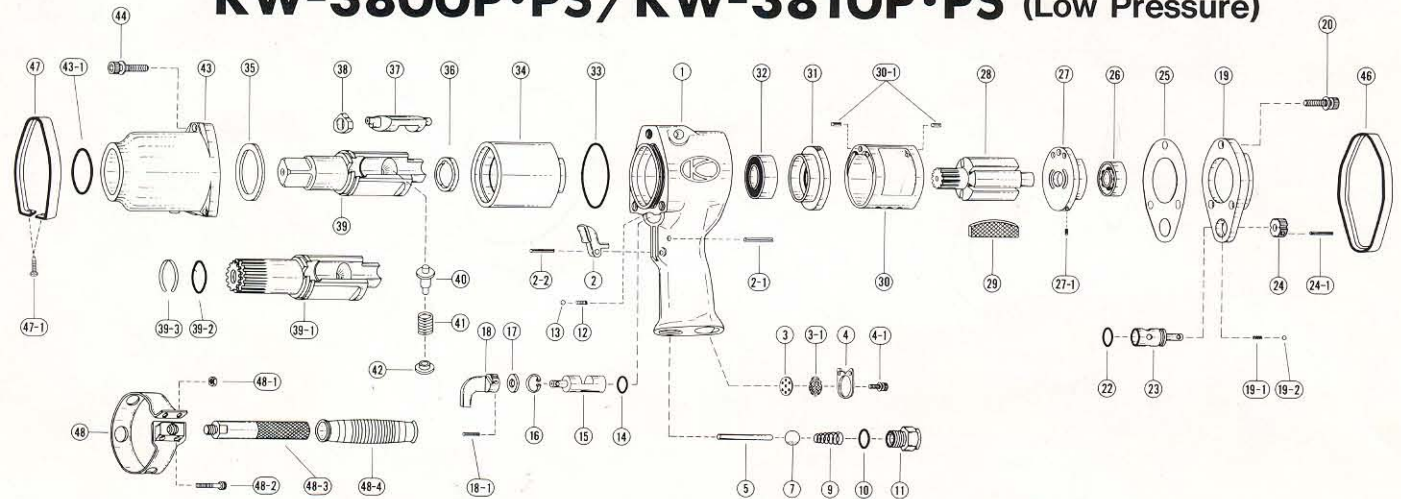
## Power Regulator

Knob NO.4 is for maximum power. Please adjust regulator to obtain best suited torque.

Rear Exhaust with silencer.

# EXPLODED VIEW

## KW-3800P-PS/KW-3810P-PS (Low Pressure)



# PARTS LIST

REF. NO. on DRAW.	PART NUMBER	PART NAME	Q'TY.	REF. NO. on DRAW.	PART NUMBER	PART NAME	Q'TY.
1	0538081A	Motor Case C.P.	1	27	0120302	Rear End Plate	1
2	0132306	Throttle Lever	1	27-1	Z0564 x 10	Spring Pin	1
2-1	Z0563 x 26	Pin	1	28	0538021	Rotor	1
2-2	Z0563 x 16	Pin	1	29	0538022	Rotor Blade	5
3	0538055A	Muffler	1	30	0120304	Cylinder	1
3-1	0538056	Muffler Stopper	1	30-1	Z0564 x 10	Spring Pin	2
4	0545009	Stopper	1	31	0538023	Front End Plate	1
4-1	Z0665 x 10A	Bolt	2	32	Z0016205Z	Ball Bearing	1
5	0538013	Throttle Valve Pin	1	33	Z041S75	"O" Ring	1
7	0438311	Throttle Valve	1	34	0538026A	Hammer Wheel	1
9	0438342	Throttle Spring	1	35	0538029	Bushing	1
10	Z040P18	"O" Ring	1	36	0538050	Retainer	1
11	0438343	Inlet Bushing	1	37	0538028	Anvil Piece	1
12	0114193	Spring	1	38	0538027A	Cam	1
13	Z0104D	Steel Ball	1	39	0538030A	Anvil (G)	1
14	Z041S18	"O" Ring	1	39-1	05383841A	Anvil GS C.P.	1
15	0538015	Reverse Valve	1	39-2	Z040P26	"O" Ring	1
16	Z03018	Retalner	1	39-3	0132202	Retainer Ring	1
17	05380151	Reverse Valve Stopper	1	40	0538051B	Plunger A	1
18	0114116	Reverse Valve	1	41	0538053B	Spring (3800P)	1
18-1	Z0563 x 16	Pin	1	41	0538053L	Spring (3810P)	1
19	0538088	Case Cover C.P. (3800P)	1	42	0538052B	Plunger B	1
19	0538088L	Case Cover C.P. (3810P)	1	43	0538003A	Impact Housing C.P.	1
19-1	0114192	Spring	1	43-1	Z040P42	"O" Ring	1
19-2	Z0104D	Steel Ball	1	44	Z0666 x 25A	Bolt	3
20	Z0666 x 20A	Bolt	3	46	0538071	Rear Rubber Protector	1
22	Z040P14	"O" Ring	1	47	0538072	Front Rubber Protector	1
23	0538017	Regulating Valve	1	47-1	Z0804 x 12	Tapping Screw	1
24	0810610	Regulating Valve Knob	1	48	0538060	Band C.P.	1
24-1	Z0563 x 16	Spring Pin	1	48-1	Z0905	Nut	2
25	0538006	Housing Gasket	1	48-2	Z0665 x 20	Bolt	2
26	Z0016203	Ball Bearing	1	48-3	0120292	Dead Handle	1
				48-4	Z1075627	Grip	1